

Job Name/Title: _____ Catalog Number _____
 Contractor: _____ Notes: _____

LED Slim Recessed Downlight

4" and 6" - Round

Features

- Low profile design
- Easy to install, saving labor and extra housing costs
- Spring clips hold fixture firmly to ceiling
- IC Rated & Damp location rated
- Edge Lit LED technology
- Remote J-box with low voltage cable provides flexibility in mounting
- Dimmable with leading edge incandescent style or LED dimmers*

Specs

- 120VAC 60 HZ
- 4" 9W - 0.09 Amps, 6" 12W - 0.12 Amps
- Power factor > 0.9; THD < 15%
- 90 CRI
- -4°F to 104°F ambient operation
- Steel housing box with Class II dimmable LED driver
- 12" low voltage connection cable between box and fixture
- 120° Beam angle

Applications and Mounting

- Low profile design facilitates mounting in confined ceiling areas or soffits
- New construction or remodel applications
- Does not require a separate housing, recess mount directly into ceiling. Simply wire and mount J-box, connect low voltage cable to fixture then secure into ceiling with spring clips.



Catalog Number	Product Code	UPC Code	Size	Color Temp	Watts	Lumens	Case Qty	Life Hrs (L70)
RDL/43RND/9/WH/D-50	77229	751338019218	4"	3000K	9	550	1/18	50,000
RDL/44RND/9/WH/D-50	77230	751338019225	4"	4000K	9	550	1/18	50,000
RDL/63RND/12/WH/D-50	77233	751338019232	6"	3000K	12	700	1/18	50,000
RDL/64RND/12/WH/D-50	77234	751338019249	6"	4000K	12	700	1/18	50,000

Specifications are subject to change without prior notice.

*Dimming - This unit is designed to be compatible with most leading edge, incandescent or LED dimmers.

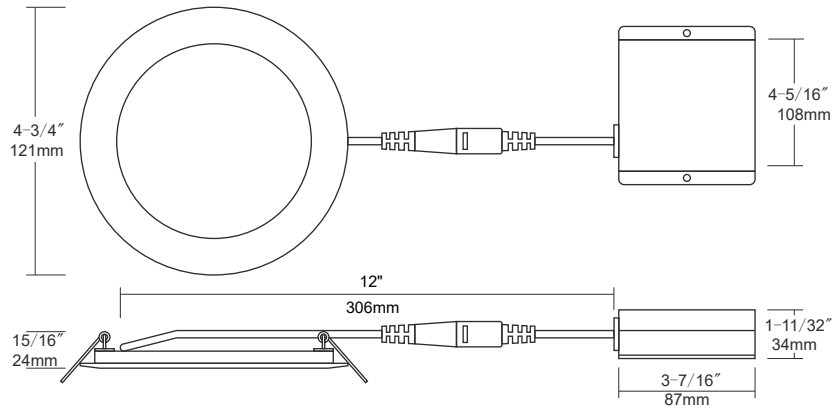
Up to date information with additional dimmers can be found at www.topaz-usa.com



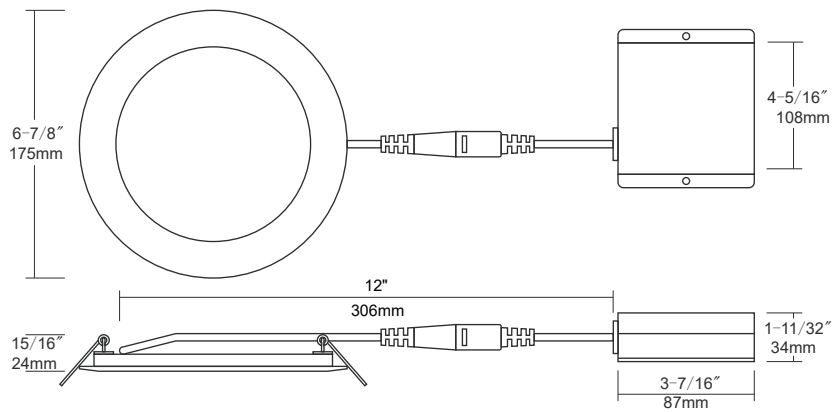
Job Name/Title: _____ Catalog Number _____
 Contractor: _____ Notes: _____

LED Slim Recessed Downlight

4" and 6" - Round



4"



6"

Compatible Dimmers

Brand	Model	Maximum Number of Fixtures per Dimmer
Lutron	DVCL-153P	11
	CTCL-153P	11
	DVELV-300P	24
	SELY-300P	24
	NTELV-300	24
	NTELV-600	48
	MAELV-600	48
	MRF2-6ND-120	12
	DV600	8
Leviton	VPE04	12
	6615	22
	VPE06	45
	VRE06	45
	6672	4
	6674	4
	IPE04	10
	6631	10
Cooper	6633-P	10
	SAL06P-W-K	10